


BALL GUIDE POST SETS

—MOVABLE STOPPER— (ALUMINUM · RESIN BALL CAGE)

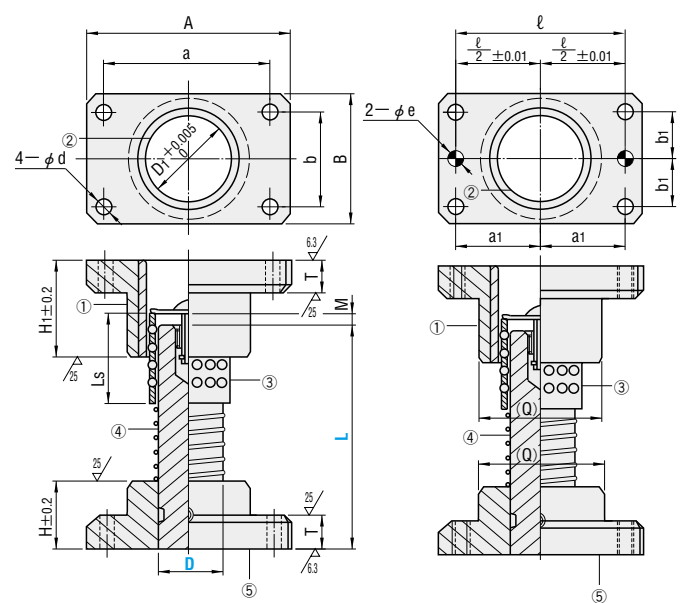


RoHS


⑥ Replacement parts **P.943**
⑦ Spring sizes **P.960**

① FC250
② SUJ2
③ 58HRC~
④ Aluminum alloy
⑤ SUJ2
⑥ 58HRC~ (Induction hardening)

MYA (Aluminum type) **MYAP** (Aluminum type with dowel hole)



⑧ (Q) values are reference only.

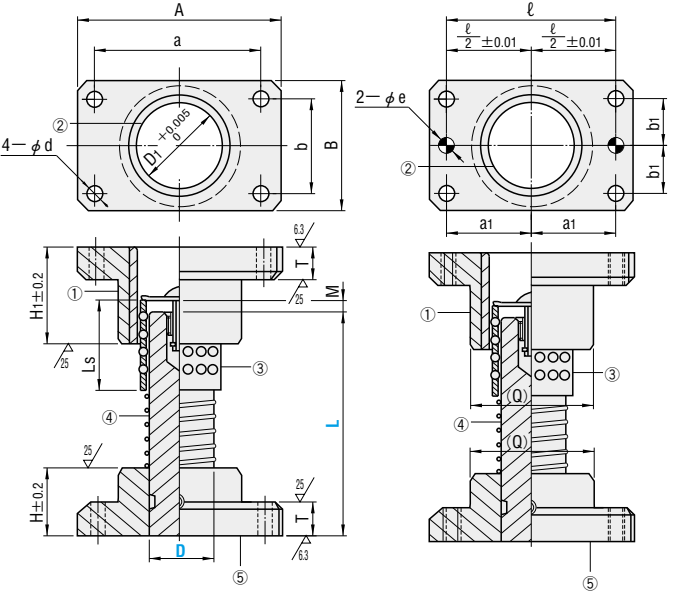


RoHS

⑥ Replacement parts **P.943**
⑦ Spring sizes **P.960**

① FC250
② SUJ2
③ 58HRC~
④ POM (Polycetal resin)
⑤ SUJ2
⑥ 58HRC~ (Induction hardening)

MYJ (Resin type) **MYJP** (Resin type with dowel hole)



⑧ (Q) values are reference only.

Ⓜ Perpendicularity of guide holder bottom and guide post: 0.02mm/100mm or less (Refer to **P.944**.)

D	D1	A	B	a	b	d	H	H1	T	(Q)	Ls	M	Stopper distance	ℓ	a1	b1	eH7	⑥ Provided bolts	⑦ Provided dowel pins
20	26	74	44	56	30	6.6	30	50	15	42	50	0~20	56	28	15	6	+0.012 0	CB 6—30	MSTM 6—20
25	31	84	48	66	30	9	30	50	20	46	50	0~20	66	33	15	8	+0.015 0	CB 8—35	MSTM 8—30
32	40	100	58	76	36	11	40	60	20	56	60	0~25	76	38	18	8		CB10—40	MSTM 8—30
38	48	130	75	100	44	11	50	70	25	73	70	0~29	100	50	22	10		CB10—45	MSTM10—40
50	60	155	90	125	60	14	65	90	25	87	90	0~42	125	62.5	30	10	CB12—50	MSTM10—40	

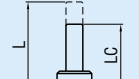
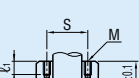
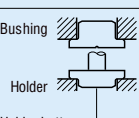
Catalog No. Type	D	L				Base unit price 1~9 pieces											
		MYA	MYAP	MYJ	MYJP	MYA	MYAP	MYJ	MYJP								
MYA	20	90	100	110	120					Quotation							
						130	140	150	160								
MYAP	25	90	100	110	120												
						130	140	150	160								
MYJ	32					110	120	130	140		150						
											160	170	180	200			
MYJP	38										220	240	260				
															240	260	300
	50										170	180	200	220			
															220	240	260
																300	350

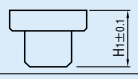
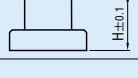
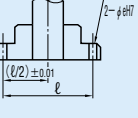

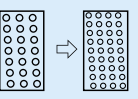
Order **Catalog No.** — **L**
MYJ 25 — 90

Price **Quotation**

Days to Ship **Quotation**

Alterations **Catalog No.** — **L(LC)** — (M · B · H · N · C · etc..) **MYAP 50** — **LC230** — **B—H**
Quotation

Alteration	Code	Spec.	D	1Code
	LC	Post length change 1mm increments LCmin. ≤ LC < Lmax. Details of alteration P.944	20-25-32 38-50	Quotation
	Holder M	Machining for mounting of a stroke end block Tap holes are machined for attaching a stroke end block. Cannot be used for D20. Details of alteration P.944	25~50	
	Bushing B Holder H	Machining of flange for reversed bushing and/or holder orientation Use of the reversed bushing and/or holder allows the die height to be reduced. Alterations B and H can be combined at the same time. The post length is measured from the holder bottom. Details of alteration P.944	20-25-32 38-50	

Alteration	Code	Spec.	D	1Code																								
	BKC	Bushing H ₁ dimension tolerance change H ₁ ± 0.2 ⇔ ± 0.1 Cannot be used for D20.	25-32 38-50	Quotation																								
	HKC	Holder H dimension tolerance change H ± 0.2 ⇔ ± 0.1 Cannot be used for D20.	25-32 38-50																									
	N	Addition of locating dowel holes 2 locating dowel holes are machined on the holder. Can be used for MYA and MYJ. Dowel pins are not provided.	20-25-32 38-50																									
	C	Addition of locating dowel hole (1 hole at center) Locating dowel hole is machined at center of post. Dowel pin is not provided.	20-25-32 38-50																									
	BSC	Ball retainer change Provided ball cage is changed to the high-rigidity type. Aluminum: MBSH Resin : MBJH		1Code <table border="1"> <tr> <td>D</td> <td>Resin type</td> <td>MBSH</td> <td>MBJH</td> </tr> <tr> <td>20</td> <td>50</td> <td></td> <td></td> </tr> <tr> <td>25</td> <td>50</td> <td></td> <td></td> </tr> <tr> <td>32</td> <td>60</td> <td></td> <td></td> </tr> <tr> <td>38</td> <td>70</td> <td></td> <td></td> </tr> <tr> <td>50</td> <td>90</td> <td></td> <td></td> </tr> </table>	D	Resin type	MBSH	MBJH	20	50			25	50			32	60			38	70			50	90		
D	Resin type	MBSH	MBJH																									
20	50																											
25	50																											
32	60																											
38	70																											
50	90																											

HOLDER GUIDE POST SETS