

Shaft Collars

Keyless Bushing / Standard Type (with Centering Function) / Keyless Bushing

Features: Enhanced thrust load rating.

Shaft Collars – Keyless Bushing / Standard Type (with Centering Function)

Type	Material	Surface Treatment
SCML	1045 Carbon Steel or Equivalent	Black Oxide Coating
PSCML	1045 Carbon Steel or Equivalent	Electroless Nickel Plating
SSCML	304 Stainless Steel or Equivalent	—

Screw hole for removal

ⓘ Maximum thrust loads obtained by tightening test are shown on P.329

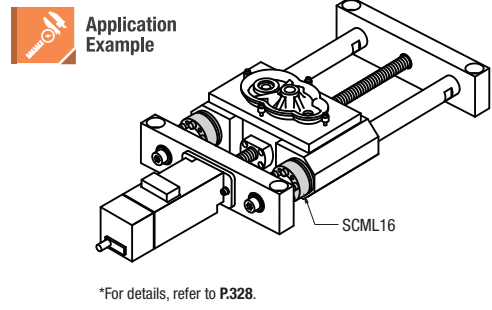
*Removal screw holes and locking screw holes have the same thread size.

ⓘ Locking screws for SCML and PSCML are colored red due to coating agent.

Part Number	Type	D	D ₁	B ₁	B ₂	B	Locking Screws		Allowable Thrust Load (kN)			Tightening Torque (Nm)		Mass (g)
							M x L	Quantity	SCML	PSCML	SSCML			
SCML PSCML SSCML	12	42	17	8	27	M6 x 25	3	13.3	13.3	4.0	15.7	9.6	262	
	16	43	16	9	27	M6 x 25	3	13.3	13.3	4.0	15.7	9.6	259	
	20	52	16	9	27	M6 x 25	4	17.8	17.8	5.3	15.7	9.6	372	
	25	54	16	9	27	M6 x 25	4	17.8	17.8	5.3	15.7	9.6	371	
	30	63	16	10.5	28.5	M6 x 25	5	22.2	22.2	6.7	15.7	9.6	523	
	35	66	16	10.5	28.5	M6 x 25	5	22.2	22.2	6.7	15.7	9.6	534	

Part Number Example

Part Number: SCML16



*** Recommended Shaft Tolerance**

Outer Diameter of Shaft	g6 (h7)
-------------------------	---------

Finish the surface roughness: Ra = 1.6μ or less

***Note on Installation**

Use a torque wrench to tighten bolts.

Shaft Collars

Slit Type, Standard Type with Urethane / Split Type, Compact Type with Urethane

Features: Standard Type with Urethane: Reduces noise generated by metal-to-metal contact.
Compact Type with Urethane: Smaller by up to 44% in width (B dimension) and 25% in O.D. (D1 dimension) than Standard Type with Urethane.

Shaft Collars – Slit Type, Standard Type with Urethane

Shaft Collars – Split Type, Standard Type with Urethane

Type	Material	Surface Treatment	Accessories
Slit Type SCD PSCD SSCD	1045 Carbon Steel or Equivalent	Black Oxide Coating Electroless Nickel Plating	Hex Socket Head Cap Screw 1 pc. (4137 Alloy Steel or Equivalent)
Split Type SCSPD PSCSPD SSCSPD	304 Stainless Steel or Equivalent	—	Hex Socket Head Cap Screw 1 pc. (304 Stainless Steel or Equivalent)

ⓘ Material and surface treatment will be revised to the indicated in () without notice.

ⓘ D dimension tolerance of SCD ranges from +0.01 to +0.08.

ⓘ Damper Material: Urethane
Hardness: Shore A70: No.3-6 (Ester Type)
Shore A90: No.8-50
(Allowable Temperature: 70°C)
ⓘ Urethane Rubber Features P.2568

*D3-D13: C0.5
D15-D50: C1

Part Number	Type	D	B	D ₁	B ₁	t	M (Coarse)	d	R	W	X	Y	Z
Split Type SCSPD PSCSPD SSCSPD	4	18	20	10	3	M6	7	6	1.5	15	8	10	3.5-6
	5												6-7
	6												6-6.5
	8												7-10
	10												8-12.5
	12												9-12.5
	13												10-12.5
	15												11-13
	16												11-13
	20												13-15
25	15	18	10	16-18									
30	20	23	12	17.5-21									
*35	23	26	13	20-23									
*40	27	32	16	25-28									
*50													

* marked sizes are not available for Split Type. D=50 is not available for SSCD type.

Shaft Collars – Slit Type / Compact Type with Urethane

Shaft Collars – Split Type / Compact Type with Urethane

Type	Material	Surface Treatment	Accessories
Slit Type SCDJ PSCDJ SSCDJ	1045 Carbon Steel or Equivalent	Black Oxide Coating Electroless Nickel Plating	Hex Socket Head Cap Screw 2 pcs. (4137 Alloy Steel or Equivalent)
Split Type SCSPDJ PSCSPDJ SSCSPDJ	304 Stainless Steel or Equivalent	—	Hex Socket Head Cap Screw 2 pcs. (304 Stainless Steel or Equivalent)

ⓘ Refer to Size Comparison Table below.

ⓘ Damper Material: Ester Urethane
Hardness: Shore A70
(Allowable Temperature: 70°C)
ⓘ Urethane Rubber Features P.2568

Part Number	Type	D	B	D ₁	B ₁	t	M (Coarse)	d	R	W	X	Y	Z
Split Type SCSPDJ PSCSPDJ SSCSPDJ	10	15	20	10	3	M5	5.5	4.5	2	15	7	20	8-10
	12												9-10
	16												11-12
	20												13
	25												14
	30												16
	*40												17
	*50												20
													25
													23
	28												

* marked sizes are not available for Split Type.

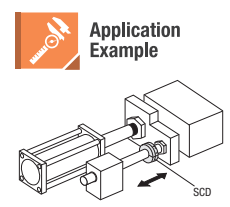
Part Number Example

Part Number: SCSPD8 - B

SCSPD8 - 10

SCDJ8 - 10

SCSPDJ10 - 10



Size Comparison Table

D	Size Differences		Compact		Standard	
	B (Thickness)	D ₁ (Outer Dia.)	B (Thickness)	D ₁ (Outer Dia.)	B (Thickness)	D ₁ (Outer Dia.)
8	-8	-5	10	25	18	30
10	-8	-5	10	30	18	35
12	-8	-10	10	30	18	40
16	-6	-5	12	35	18	40
20	-7	-5	13	40	20	45
25	-5	-5	15	45	20	50
30	-5	-5	15	50	20	55
40	-8	-10	15	60	23	70
50	-6	-5	21	80	27	85