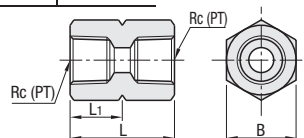

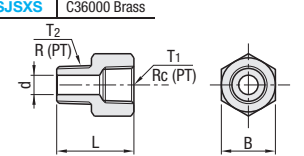

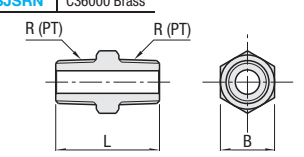

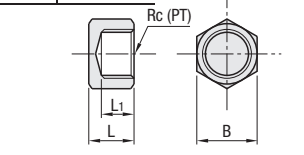

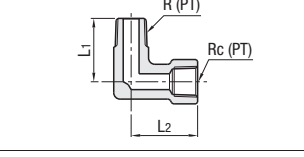

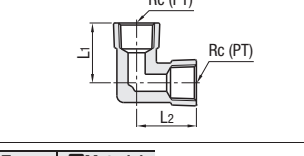

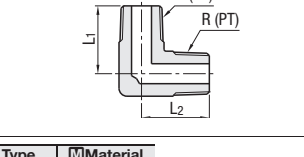

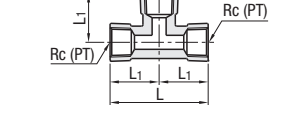



# Brass Pipe Fittings

Brass

<b>■ Couplings</b> <span style="color: green;">RoHS</span>	<b>Type</b> SJSFS	<b>Material</b> C36000 Brass	
			
<b>■ Male/Female Adapter</b> <span style="color: green;">RoHS</span>	<b>Type</b> SJSXS	<b>Material</b> C36000 Brass	
			
<b>■ Nipples</b> <span style="color: green;">RoHS</span>	<b>Type</b> SJSRN	<b>Material</b> C36000 Brass	
			
<b>■ Caps</b> <span style="color: green;">RoHS</span>	<b>Type</b> SJSXP	<b>Material</b> C36000 Brass	
			
<b>■ Male/Female Elbows</b> <span style="color: green;">RoHS</span>	<b>Type</b> SJSXL	<b>Material</b> C37700 Brass	
			
<b>■ Female/Female Elbows</b> <span style="color: green;">RoHS</span>	<b>Type</b> SJSFL	<b>Material</b> C37700 Brass	
			
<b>■ Male Elbows</b> <span style="color: green;">RoHS</span>	<b>Type</b> SJSML	<b>Material</b> C37700 Brass	
			
<b>■ Female Tees</b> <span style="color: green;">RoHS</span>	<b>Type</b> SJSFT	<b>Material</b> C37700 Brass	
			

Part Number	Type	No.	Rc (PT)	L	L1	B	Unit Price	Volume Discount Rate
							1-9 pc(s)	10-19 pcs.
SJSFS	6A	1/8	21	10.5	14			
	8A	1/4	28	14	17			
	10A	3/8	32	16	21			
	15A	1/2	40	20	26			

Part Number	Type	No.	Rc (PT)	R (PT)	L	d	B	Unit Price	Volume Discount Rate
								1-9 pc(s)	10-19 pcs.
SJSXS	6A	1/8	1/8	20	5	14			
	8A	1/4	1/4	24	8	17			
	10A	3/8	3/8	28	11	21			
	15A	1/2	1/2	33	15	26			

Part Number	Type	No.	R (PT)	L	B	Unit Price	Volume Discount Rate
						1-9 pc(s)	10-19 pcs.
SJSRN	6A	1/8	22	12			
	8A	1/4	28	14			
	10A	3/8	33	17			
	15A	1/2	38	22			

Part Number	Type	No.	Rc (PT)	L	L1	B	Unit Price	Volume Discount Rate
							1-9 pc(s)	10-19 pcs.
SJSXP	6A	1/8	9	7	12			
	8A	1/4	11	9	16			
	10A	3/8	14	12	19			
	15A	1/2	15	13	24			

Part Number	Type	No.	R, Rc (PT)	L1	L2	Unit Price	Volume Discount Rate
						1-9 pc(s)	10-19 pcs.
SJSXL	6A	1/8	19	22			
	8A	1/4	24	25			
	10A	3/8	28	29			
	15A	1/2	32	34			

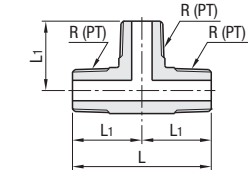

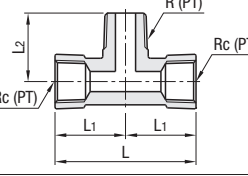

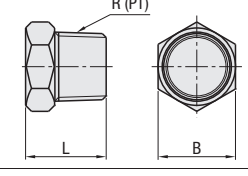

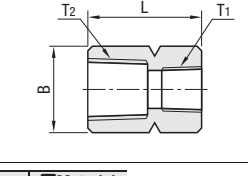

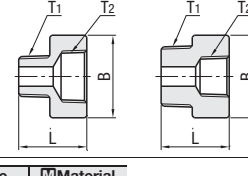

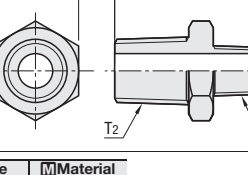

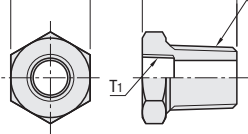

Part Number	Type	No.	Rc (PT)	L1	L2	Unit Price	Volume Discount Rate
						1-9 pc(s)	10-19 pcs.
SJSFL	6A	1/8	22	22			
	8A	1/4	25	25			
	10A	3/8	29	29			
	15A	1/2	34	34			

Part Number	Type	No.	R (PT)	L1	L2	Unit Price	Volume Discount Rate
						1-9 pc(s)	10-19 pcs.
SJSML	6A	1/8	17	17			
	8A	1/4	22	22			
	10A	3/8	25	25			
	15A	1/2	29	29			

Part Number	Type	No.	Rc (PT)	L	L1	Unit Price	Volume Discount Rate
						1-9 pc(s)	10-19 pcs.
SJSFT	6A	1/8	44	22			
	8A	1/4	50	25			
	10A	3/8	58	29			
	15A	1/2	68	34			

<b>■ Male Tees</b> <span style="color: green;">RoHS</span>	<b>Type</b> SJSMT	<b>Material</b> C37700 Brass	
			
<b>■ Male/Female Tees</b> <span style="color: green;">RoHS</span>	<b>Type</b> SJSXT	<b>Material</b> C37700 Brass	
			
<b>■ Plugs</b> <span style="color: green;">RoHS</span>	<b>Type</b> SJSXP	<b>Material</b> C36000 Brass	
			
<b>■ Reducing Hex Coupling</b> <span style="color: green;">RoHS</span>	<b>Type</b> SJSFSD	<b>Material</b> C36000 Brass	
			
<b>■ Reducing Male/Female Adapter</b> <span style="color: green;">RoHS</span>	<b>Type</b> SJSXSD	<b>Material</b> C36000 Brass	
			
<b>■ Reducing Hex Nipples</b> <span style="color: green;">RoHS</span>	<b>Type</b> SJSRND	<b>Material</b> C36000 Brass	
			
<b>■ Bushings</b> <span style="color: green;">RoHS</span>	<b>Type</b> SJSXP	<b>Material</b> C36000 Brass	
			

Part Number	Type	No.	R (PT)	L	L1	Unit Price	Volume Discount Rate
						1-9 pc(s)	10-19 pcs.
SJSMT	6A	1/8	34	17			
	8A	1/4	44	22			
	10A	3/8	50	25			
	15A	1/2	58	29			

Part Number	Type	No.	R, Rc (PT)	L	L1	L2	Unit Price	Volume Discount Rate
							1-9 pc(s)	10-19 pcs.
SJSXT	6A	1/8	44	22	19			
	8A	1/4	50	25	24			
	10A	3/8	58	29	28			
	15A	1/2	68	34	32			

Part Number	Type	No.	R (PT)	L	B	Unit Price	Volume Discount Rate
						1-9 pc(s)	10-19 pcs.
SJSXP	6A	1/8	14	12			
	8A	1/4	18	16			
	10A	3/8	21	19			
	15A	1/2	25	21			

Part Number	Type	No.	Rc (PT)	L	B	Unit Price	Volume Discount Rate
						1-9 pc(s)	10-19 pcs.
SJSFSD	12	1/8	1/4	26	17		
	13	1/8	3/8	28	21		
	23	1/4	3/8	30	21		
	24	1/4	1/2	36	26		
	34	3/8	1/2	38	26		
	46	1/2	3/4	44	32		

Part Number	Type	No.	R (PT)	Rc (PT)	L	B	Unit Price	Volume Discount Rate
							1-9 pc(s)	10-19 pcs.
SJSXSD	12	1/8	1/4	22	17			
	21	1/4	1/8	22	14			
	23	1/4	3/8	26	21			
	32	3/8	1/4	26	17			
	43	1/2	3/8	30	22			

Part Number	Type	No.	R (PT)	L	B	Unit Price	Volume Discount Rate
						1-9 pc(s)	10-19 pcs.
SJSRND	12	1/8	1/4	26	14		
	13	1/8	3/8	29	17		
	23	1/4	3/8	31	17		
	24	1/4	1/2	34	22		
	34	3/8	1/2	36	22		
	46	1/2	3/4	41	27		

Part Number	Type	No.	Rc (PT)	R (PT)	L	B	Unit Price	Volume Discount Rate
							1-9 pc(s)	10-19 pcs.
SJSXP	12	1/8	1/4	16	17			
	13	1/8	3/8	19	19			
	23	1/4	3/8	19	19			
	24	1/4	1/2	21	24			
	34	3/8	1/2	21	24			
	46	1/2	3/4	25	30			