

Casters with Adjustment Pads, Integrated Type & Leveling Mounts

Standard / Conductive / Side Mount

RoHS

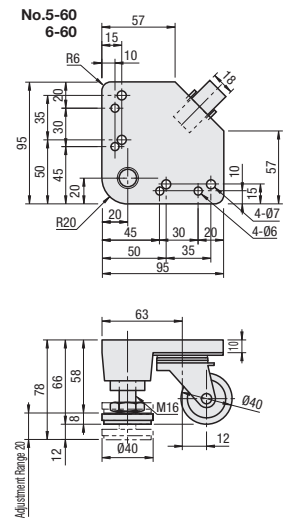


Part Number	Caster		Jack Bolt	
	Type	Wheel Material (Color)	Material	Surface Treatment
HCFT, HCFTK, SHCFT	Nylon (Gray)	60	Aluminum Casting	Black Paint
HCFTU	Urethane (Green)	130	Alloy 383.0	Black Paint
HCFTM	MC Nylon (Blue)	250	Low Carbon Steel	Trivalent Chromate (Black)
HCFTD, SHCFTD	Conductive MC Nylon (Black)	350	FCO Cast Iron 45	Black Paint
		500		

⚠ Only HCFT8-500 is phenol.
 ⚠ HCFTFD250/350 are gray.
 ⚠ Material of jack bolt and caster is 304 Stainless Steel for SHCFT or SHCFTD.

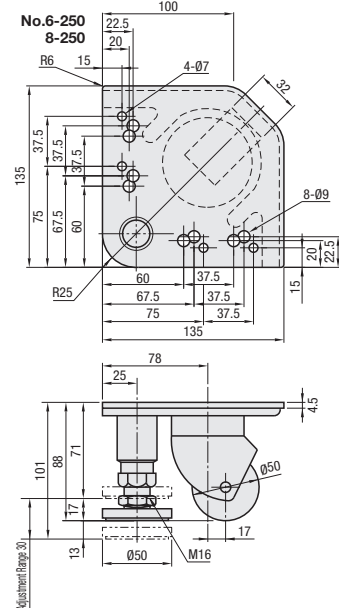
Swiveling Caster

HCFT



Applicable screws and nuts are common to M5 and M6.

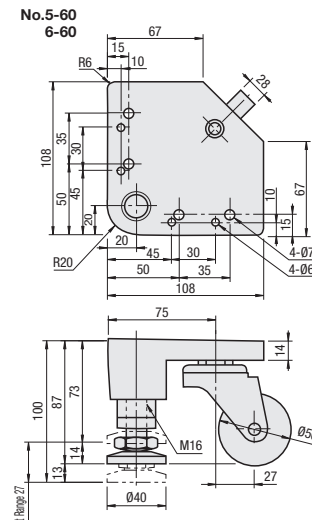
HCFT HCFTM HCFTU HCFTD



Applicable screws and nuts are common to M6 and M8.

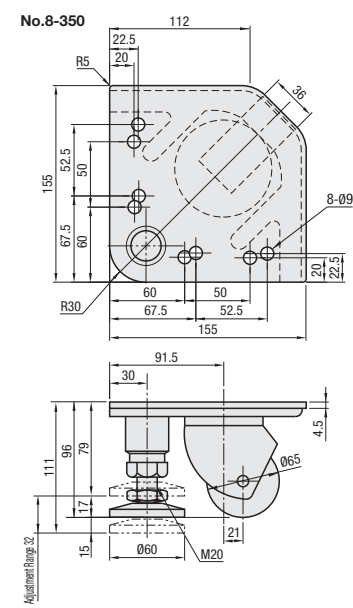
⚠ All the casters swivel 360°.

SHCFT (Conductive)



Applicable screws and nuts are common to M5 and M6.

SHCFT SHCFTD (Conductive)



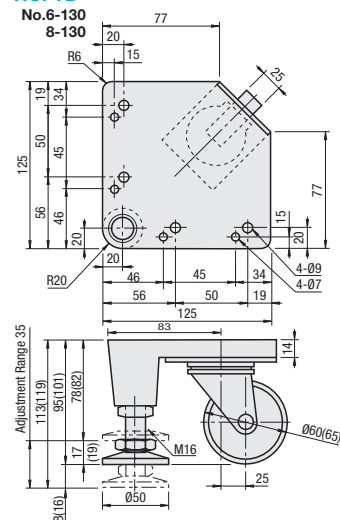
Applicable screws and nuts are common to M5 and M6.

⚠ The values in () are for Conductive Type.

HCFT SHCFT (Conductive)

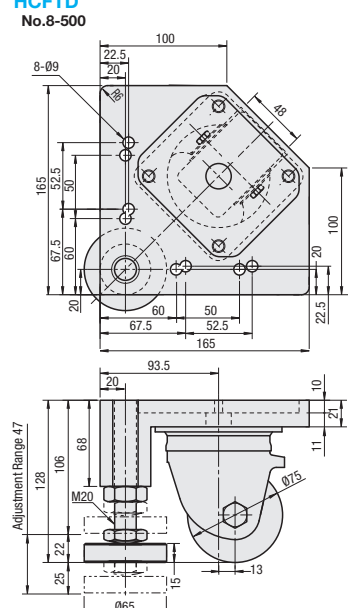
HCFTM SHCFTD (Conductive)

HCFTD



Applicable screws and nuts are common to M6 and M8.

HCFT HCFTM HCFTD

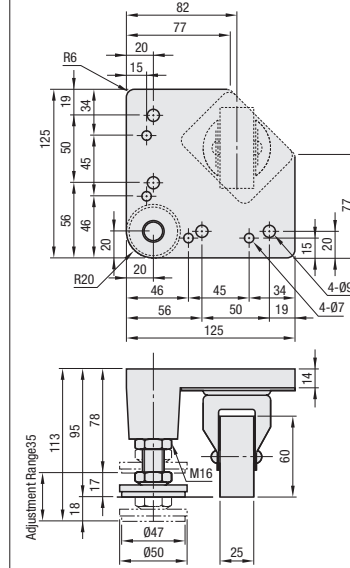


⚠ When moving the unit using the casters, raise the leveling mounts completely.

Fixed Caster

HCFTK-R

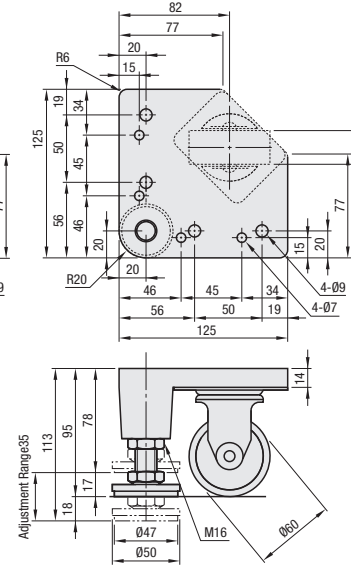
No. 6-130
8-130



⚠ Caster does not swivel.

HCFTK-L

No. 6-130
8-130



Caster Type	Part Number	Type	No.	Allowable Load/Mass			Screw / Nut		Unit Price			
				No. Load	kg	N	g	Screw	Nut	HCFT	HCFTU	HCFTM
Swivel	HCFT	6	60	60	588	600	CBM5-15	HNTT5-5	-	-	-	-
									CBM6-15	-	-	-
									HNTT6-6	-	-	-
Swivel	HCFTM	8	130	130	1275	1100	CBM6-20	HNTT8-8	-	-	-	-
									CBM8-25	-	-	-
									HNTT6-6	-	-	-
Fixed	HCFTK-L	6	130	130	1275	1100	CBM6-20	HNTT8-8	-	-	-	-
									CBM8-25	-	-	-
									HNTT6-6	-	-	-
Swivel	HCFT	8	250	250	2452	1445	CBM8-15	HNTT8-8	-	-	-	-
									CBM8-25	-	-	-
									HNTT6-6	-	-	-
Swivel	HCFTM	8	350	350	3432	2170	CBM8-15	HNTT8-8	-	-	-	-
									CBM8-25	-	-	-
									HNTT6-6	-	-	-
Swivel	HCFTD	8	500	500	4902	5600	CBM8-30	HNTT8-8	-	-	-	-
									CBM8-25	-	-	-
									HNTT6-6	-	-	-

⚠ Mounting height of HCFT6-130, HCFT8-130, HCFTK6-130 and HCFTK8-130 is the same, which enables combined use in parallel.

Caster Type	Part Number	Type	No.	Allowable Load/Mass			Screw / Nut		Unit Price		
				No. Load	kg	N	g	Screw	Nut	SHCFT	SHCFTD
Swivel	SHCFT	6	60	60	588	600	SCB5-20	HNTTSN5-5	-	-	
									SCB6-20	-	-
									HNTTSN6-6	-	-
Swivel	SHCFTD	8	130	130	1275	1100	SCB8-25	HNTTSN8-8	-	-	
									SCB8-25	-	-
									HNTTSN8-8	-	-

⚠ Pad and caster are made of stainless steel (304 Stainless Steel).

Alterations Part Number - (SET, BL)
HCFT6-130 - SET

⚠ Alterations BL100, BL150 will be
⚠ "SET" and "BL" cannot be specified together.

Alteration Code	Spec.	Integrated Caster Unit				Component		Price Adder
		Type	No. Load	Screw	Nut	Quantity	Quantity	
Applicable Screw and Nut Set	Applicable screws and nuts come in a set. ⚠ No set unit is available for Conductive Type.	HCFT	5	60	CBM5-15	HNTT5-5	-	
		HCFT	6	60	CBM6-15	HNTT6-6	-	
		HCFT, HCFTK, HCFTM, HCFTD	6	130	CBM6-20	HNTT6-6	-	
		HCFT, HCFTU, HCFTM, HCFTD	6	250	CBM6-12	HNTT6-6	-	
		HCFT, HCFTK, HCFTM, HCFTD	8	130	CBM8-25	HNTT8-8	4	
		HCFT, HCFTU, HCFTM, HCFTD	8	250	CBM8-15	HNTT8-8	4	
		HCFT, HCFTM, HCFTD	8	500	CBM8-30	-	-	

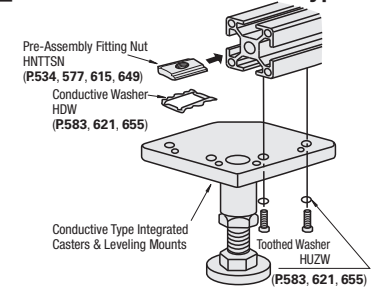
Alterations Code	Leveling Mount Length					
	BL100			BL150		
Spec. Changes the length of standard leveling mounts.	Load	Height from Floor Standard/After Change	Price Adder	Load	Height from Floor Standard/After Change	Price Adder
	60	78	132	60	78	178
	130	113	152	130	113	200
	250	101	145	250	101	191
	350	111	150	350	111	200
		-	500	150	210	

⚠ The height from the floor can be increased by using a longer leveling mount. However, the leveling mount sticks out from the plate surface.

Ordering Example
Part Number
HCFT6-130
HCFTK-L6-130

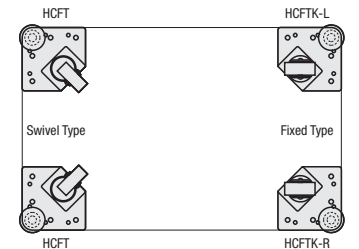
Days to Ship
Configure Online

How to Install Conductive Type



⚠ Conductive washers and toothed washers are not included with Conductive Type.

Example



Example

