



For Pricing and Days to Ship, Please Configure Online.

Adjustable Guide Rails for Conveyors / Brackets

Round Type

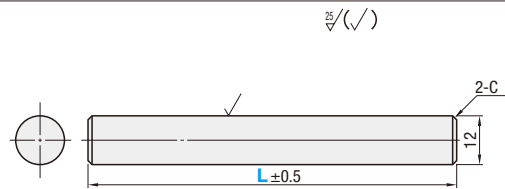


Adjustable Guide Rails for Conveyors / Brackets

Engineering Plastic Rails

Round Rod WorkGuide for Conveyors

CGR



RoHS 10

Material: 304 Stainless Steel

Part Number	L 5mm Increment	Unit Price 1 ~ 10 pc (s).
CGR	150~300	
	305~500	
	505~750	
	755~1000	



Part Number - L
CGR - 380

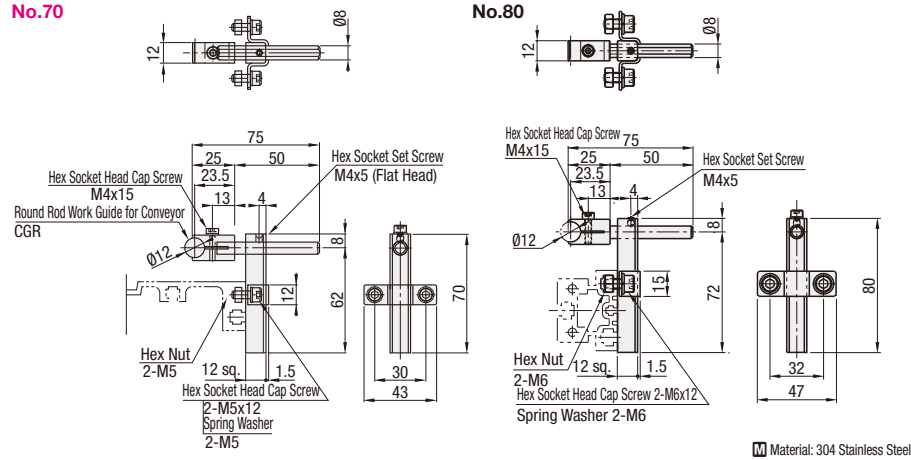


Configure Online

For orders larger than indicated quantity, please request a quotation.

Conveyor Round Rod Guide Rail Brackets - Standard Type

CGV No.70



RoHS 10

Material: 304 Stainless Steel

Part Number Type	No.	Unit Price 1 ~ 10 pc (s).
CGV	70	
	80	



Part Number
CGV70

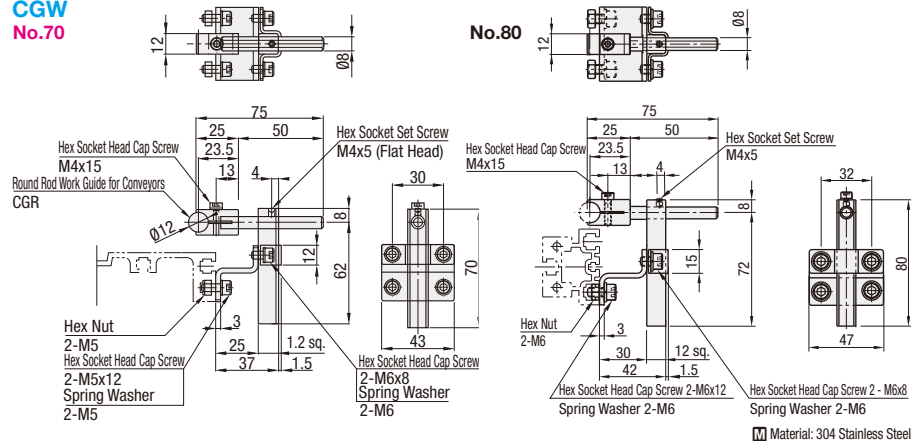


Configure Online

For orders larger than indicated quantity, please request a quotation.

Conveyor Guide Rail Brackets - Offset Type

CGW No.70



RoHS 10

Material: 304 Stainless Steel

Part Number Type	No.	Unit Price 1 ~ 10 pc (s).
CGW	70	
	80	



Part Number
CGW80



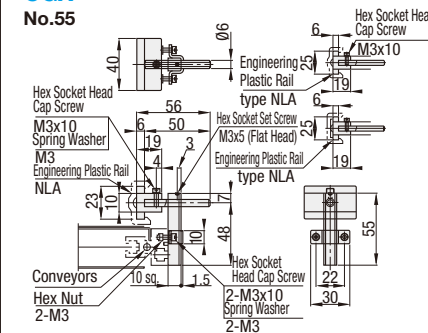
Configure Online

For orders larger than indicated quantity, please request a quotation.

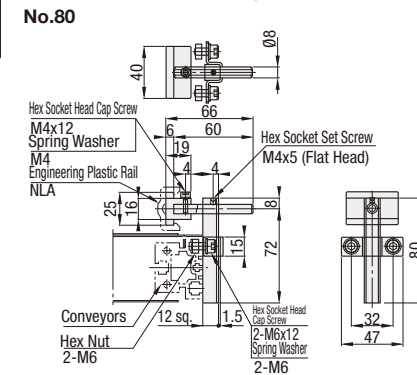
For Conveyors Engineering Plastic Guide Rail Brackets - Standard Type



CGX No.55

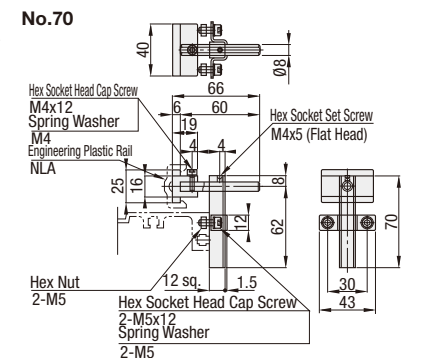


No.80



Engineering plastic rail is not included.
Material: 304 Stainless Steel

No.70



Part Number Type	No.	Unit Price 1 ~ 10 pc (s).
CGX	55	
	70	
	80	

For orders larger than indicated quantity, please request a quotation.



Part Number
CGX55

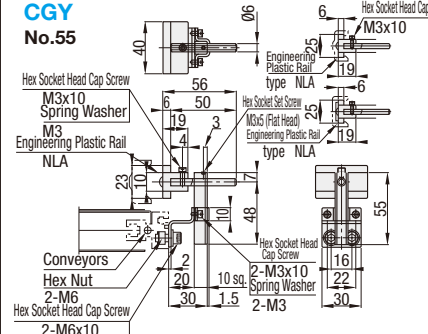


Configure Online

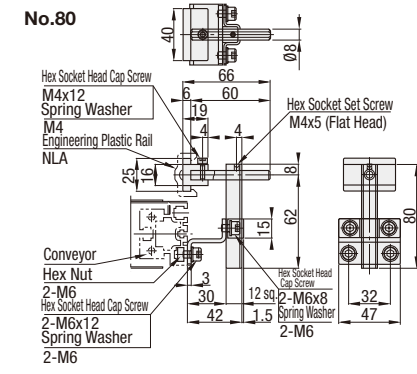
For Conveyors Engineering Plastic Guide Rail Brackets - Offset Type



CGY No.55

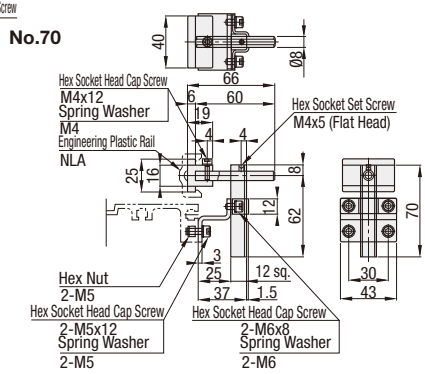


No.80



Engineering plastic rail is not included.
Material: 304 Stainless Steel

No.70



Part Number Type	No.	Unit Price 1 ~ 10 pc (s).
CGY	55	
	70	
	80	

For orders larger than indicated quantity, please request a quotation.



Part Number
CGY70



Configure Online