


Shaft Collars Wedge

2-Hole / 2-Tapped (Coarse) / 3-Hole / 3-Tapped (Coarse)

Feature: Less power is required for tightening compared to the conventional clamp types. No constraints on tightening sequence.

2-Hole Type
2-Tapped (Coarse) Type



RoHS10

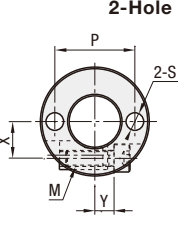
Type	Shaft Collar	Wedge	Accessories
2-Hole	2-Tapped	Material	Surface Treatment
SCWM	SCWW	1045	Black Oxide Coating
PSCWM	PSCWW	Carbon Steel	Electroless Nickel Plating
SSCWM	SSCWW	304 Stainless Steel	-

Hex Socket Head Cap Screw 1 pc.
(Stainless Steel)

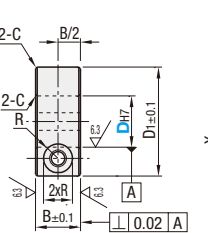
Maximum thrust loads obtained by tightening test are shown on P.246.

*D10-D25: C0.5
D30-D50: C1

2-Hole




2-Tapped (Coarse)



Part Number Type	D	D1	B	P	X	Y	S	M	M1	R	Unit Price					
											SCWM	PSCWM	SSCWM	SCWW	PSCWW	SSCWW
(2-Hole) SCWM PSCWM SSCWM	10	25	10	18	8.5	3.5	4.5	4	4	4						
	12	28		20	9.5	5										
	15	30		23	11	4.5										
(2-Tapped) SCWW PSCWW SSCWW	16	34	12	25	11.5	6	5.5	5	5	4.5						
	20	38		29	13.5	7										
	25	44		34	16	9										
(2-Tapped) SCWW PSCWW SSCWW	30	48	15	39	18.5	8	6.6	5	-	4.5						
	35	56		46	22	9.5										
	40	68		54	24.5	18										
50	78	64	29.5	19												

C (O.D./I.D. Chamfers) will be 1.0 for D30 or more.

3-Hole Type
3-Tapped (Coarse) Type



RoHS10

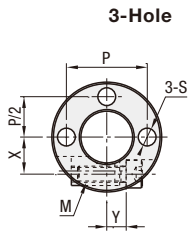
Type	Shaft Collar	Wedge	Accessories
3-Hole	3-Tapped	Material	Surface Treatment
SCWT	SCWR	1045	Black Oxide Coating
PSCWT	PSCWR	Carbon Steel	Electroless Nickel Plating
SSCWT	SSCWR	304 Stainless Steel	-

Hex Socket Head Cap Screw 1 pc.
(Stainless Steel)

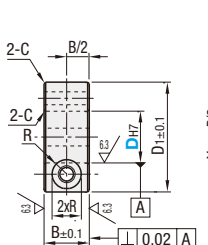
Maximum thrust loads obtained by tightening test are shown on P.246.

*D10-D25: C0.5
D30-D50: C1

3-Hole



3-Tapped (Coarse)



Part Number Type	D	D1	B	P	X	Y	S	M	M1	R	Unit Price					
											SCWT	PSCWT	SSCWT	SCWR	PSCWR	SSCWR
(3-Hole) SCWT PSCWT SSCWT	10	25	10	18	8.5	3.5	4.5	4	4	4						
	12	28		20	9.5	5										
	15	30		23	11	4.5										
(3-Tapped) SCWR PSCWR SSCWR	16	34	12	25	11.5	6	5.5	5	5	4.5						
	20	38		29	13.5	7										
	25	44		34	16	9										
(3-Tapped) SCWR PSCWR SSCWR	30	48	15	39	18.5	8	6.6	5	6	4.5						
	35	56		46	22	9.5										
	40	68		54	24.5	18										
50	78	64	29.5	19												

C (O.D./I.D. Chamfers) will be 1.0 for D30 or more.

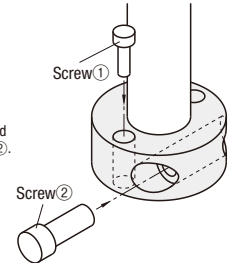
Ordering Example
Part Number: SCWM16 PSCWR35

Days to Ship [Configure Online](#)

Price [Configure Online](#)



When using the Wedge Type as shown in the diagram on the right, the collar can be fully tightened to the plate first with the screws ① and then the shaft can be clamped using the screw ②.




Shaft Collars Compact, Clamp Lever

Wedge - D Cut / Side Mount 2 Holes

Feature: Generates more clamping force with less screw tightening torque compared to the conventional Clamp Type. Smaller by up to 22% in width (B dim.) and 25% in O.D. (D1 dim.) than the Standard Type with Clamp Lever (P.249).

D Cut



RoHS10

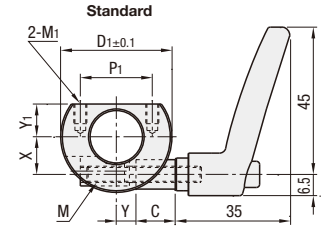
Type	Shaft Collar	Clamp Lever	Lever Threads	Wedge
Standard	Miniature	Material	Surface Treatment	Material
SCWD	SCWDM	1045 Carbon Steel	Black Oxide Coating	12L14 Carbon Steel
PSCWD	PSCWDM	1045 Carbon Steel	Electroless Nickel Plating	Black Chromate
SSCWD	SSCWDM	304 Stainless Steel	-	303 Stainless Steel

Hex Socket Head Cap Screw 1 pc.
(Stainless Steel)

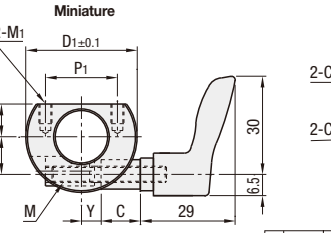
Maximum thrust loads obtained by tightening test are shown on P.246.

*D10-D25: C0.5
D30-D50: C1

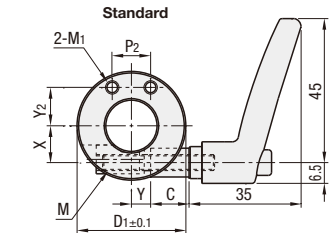
Standard



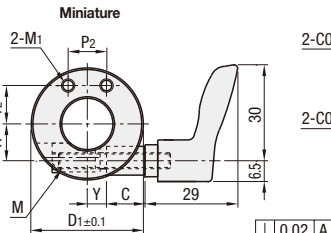
Miniature



Standard



Miniature



D	B	D1	M	M1	P1	P2	Y1	Y2	R	X	Y	C
10	14	28	4	M4	18	10	7	9	4	8.5	4.5	11
12		18			8		9.5	9.5		4	11	
15		32			20	11	11	11		11		
16		34	22	M5	10	12	11.5	6		12		
20		40	25		14	13	14	13.5		8	12	
25		45	29		18	14.5	16.5	16		9	12	
30	52	30	22	19	19	18.5	11.5	12				

Part Number Type	D	Lever Color	Unit Price						Lever				
			D Cut			Side Mounting Holes							
SCWD	PSCWD	SSCWD	SCWJ	PSCWJ	SSCWJ	SCWDM	PSCWDM	SSCWDM	SCWJM	PSCWJM	SSCWJM		
Standard Lever	10	M (Orange)											
	12												
	15												
	16												
Miniature Lever	20	S (Black)											
	25												
	30												

Levers in () are applicable to SSCWD_ and SSCWJ_ (stainless steel products). C (O.D./I.D. chamfers) will be 1.0 for D30.

Ordering Example
Part Number: SCWD12 - B
PSCWJ16 - M
SSCWDM16 - S

Days to Ship [Configure Online](#)

Price [Configure Online](#)

Thickness / O.D. Comparison Table

D	Dim. Variation		Wedge		Standard (P.249)	
	B (Thickness)	D1 (O.D.)	B (Thickness)	D1 (O.D.)	B (Thickness)	D1 (O.D.)
10	-4	-7	14	28	18	35
12	-4	-12	14	28	18	40
15	-4	-12	14	32	18	44
16	-4	-12	14	34	18	44
20	-4	-8	14	40	18	48
25	-4	-15	14	45	18	60
30	-4	-18	14	52	18	70